

Air-fix 22B1

Machined Work Piece Fixture

It is a "Time Saving Fixture" that increases productivity by moving a coordinate measuring machine or a work on a stone surface plate smoothly and fixing it tightly.



- This device firmly adheres to the surface plate just by supplying compressed air.
- It can be easily attached/detached and moved by simply pressing the exhaust port with your finger even during adsorption.



Work positioning

If you decide the position to hit the workpiece in advance, you can improve the efficiency of inspection of mass-produced products simply by replacing the workpiece.



Fixing measuring instruments

If you put your existing magnet stand on this product, you can use the magnet stand as it is on the stone surface plate.



Fixing large workpieces

Workpieces that do not fit on the Eco-fix base plate can be easily fixed using the spring clip.

■What is Air-fix?

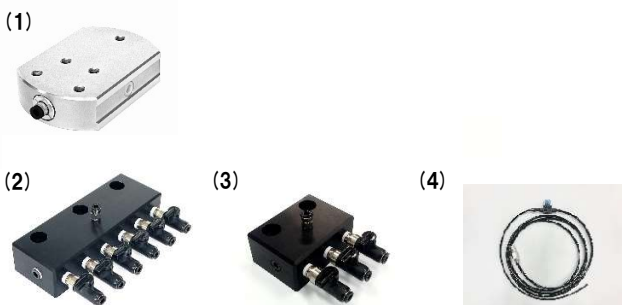
It is a vacuum adsorption type fixing jig that can fix a workpiece at any position on a stone surface plate or ceramic surface plate where magnets cannot be used.

Effective when using Eco-fix on a coordinate measuring machine or on a stone surface plate.

*Eco-fix is Mitutoyo's clamping tool. By combining each element like a toy block, it is a clamping system that can easily fix various objects to be measured.

- * 3-station manifold and 6-station manifold are available as options. Please contact us for details.
- * Air supply equivalent to 0.4 MPa is required.
- * This product was jointly developed by Sasaki Koki Co., Ltd. and Mitutoyo Co., Ltd. by utilizing the open patent of Mitutoyo Co., Ltd. Furthermore, a joint patent application has been filed for this product. [Patent No. 4616563] [Patent application 2022-042420]

■Product configuration



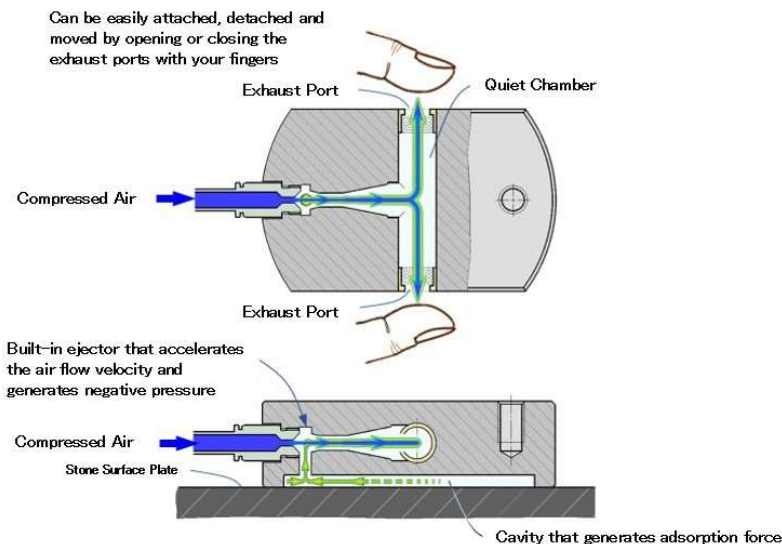
(1) Air-fix Body (1 Unit)

Optional Items

(2) 6-Port Manifold (3) 3-Port Manifold (4) Piping Set

- * Mitutoyo's standard products are recommended for spring clips and screw adapters.
- * Commercially available air tubes (Φ4mm) and struts can be used.

■Adsorption Principle

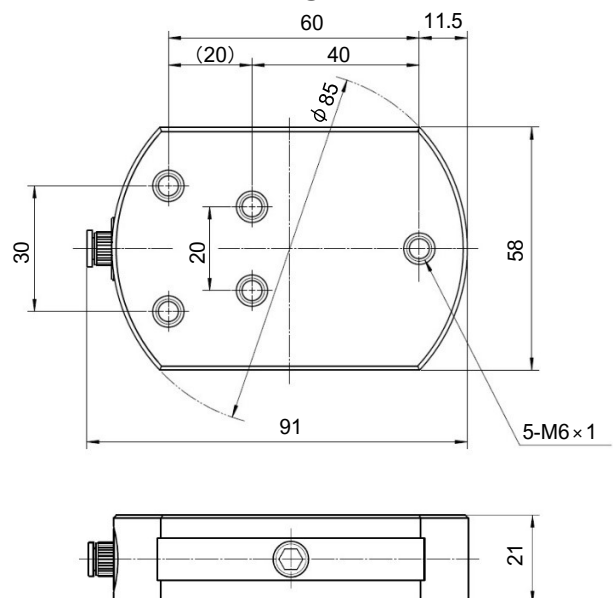


■Specifications

Size	21 mm×58 mm×91 mm
Weight	630 g
Air consumption flow rate	8 L/min <In standard condition>
Adsorption retention	200 N (20.4 kgf) <Vertical direction>
	65 N (6.6 kgf) <60mmSpring plate tip>
Quietness (Operating sound)	50dB

Estimated operating noise is 50dB, which is equivalent to a quiet office.

■Dimensional drawing



[Manufacturer]

Sasaki Koki Inc.

〒213-0006
1-9-33 Shimonoge, Takatsu-ku, Kawasaki City,
Kanagawa Prefecture 213-0006 (Zip code), Japan
TEL +81-44-844-0338 FAX +81-44-822-0922
U.R.L. <https://www.sasaki-koki.co.jp>



[Sales Agent]

