

# Air-fix 22B1

Work fixture for Eco-fix

It is a "time saving fixture " that increases productivity by moving a coordinate measuring machine or a work on a stone surface plate smoothly and fixing it tightly.



- This device firmly adheres to the surface plate just by supplying compressed air.
- It can be easily attached/detached and moved by simply pressing the exhaust port with your finger even during adsorption.



### Work positioning

If you decide the position to hit the workpiece in advance, you can improve the efficiency of inspection of mass-produced products simply by replacing the workpiece.



### Fixing measuring instruments

If you put your existing magnet stand on this product, you can use the magnet stand as it is on the stone surface plate.



### Fixing large workpieces

Workpieces that do not fit on the Eco-fix base plate can be easily fixed using the spring clip.

## ■What is Air-fix?

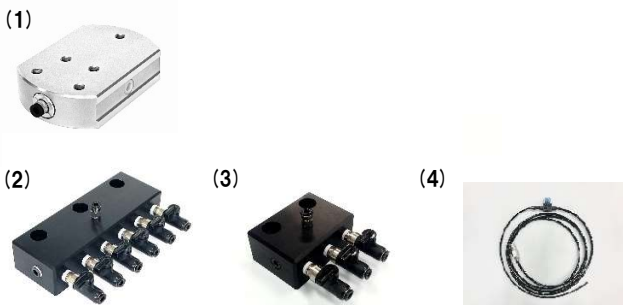
It is a vacuum adsorption type fixing jig that can fix a workpiece at any position on a stone surface plate or ceramic surface plate where magnets cannot be used.

Effective when using Eco-fix on a coordinate measuring machine or on a stone surface plate.

\*Eco-fix is Mitutoyo's clamping tool. By combining each element like a toy block, it is a clamping system that can easily fix various objects to be measured.

- \* 3-station manifold and 6-station manifold are available as options. Please contact us for details.
- \* Air supply equivalent to 0.4 MPa is required.
- \* This product was jointly developed by Sasaki Koki Co., Ltd. and Mitutoyo Co., Ltd. by utilizing the open patent of Mitutoyo Co., Ltd. Furthermore, a joint patent application has been filed for this product. [Patent No. 4616563] [Patent application 2022-042420]

## ■Product configuration



(1) Air-fix Body (1 Unit)

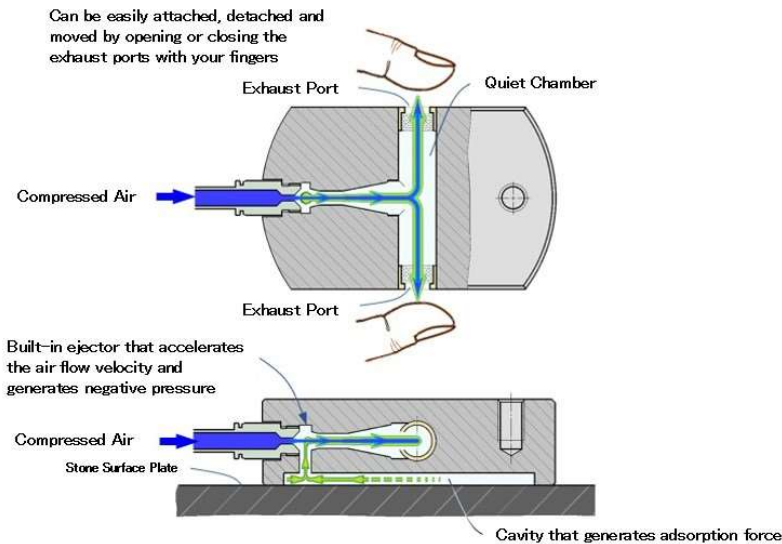
### Optional Items

(2) 6-station manifold (3) 3-station manifold (4) Plumbing Set

\* Mitutoyo's standard products are recommended for spring clips and screw adapters.

\*Commercially available air tubes (Φ4mm) and struts can be used.

## ■Adsorption Principle

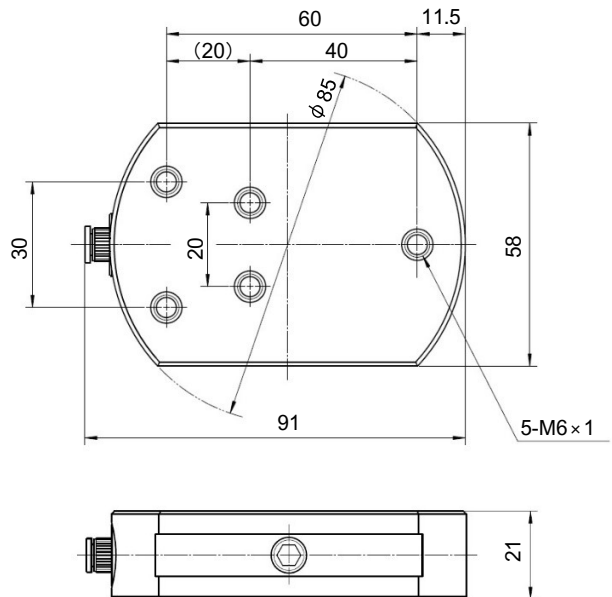


## ■Specifications

|                             |                                       |
|-----------------------------|---------------------------------------|
| Size                        | 21 mm×58 mm×91 mm                     |
| Weight                      | 630 g                                 |
| Air consumption flow rate   | 8 L/min <In standard condition>       |
| Adsorption retention        | 200 N (20.4 kgf) <Vertical direction> |
|                             | 65 N (6.6 kgf) <60mmSpring plate tip> |
| Quietness (Operating sound) | 50dB                                  |

Estimated operating noise is 50dB, which is equivalent to a quiet office.

## ■Dimensional drawing



[Manufacturer]

**Sasaki Koki Co., Inc.**

〒213-0006

1-9-33 Shimonoge, Takatsu-Ward, Kawasaki City,  
Kanagawa Prefecture 213-0006 (Zip code), Japan  
TEL +81-44-844-0338 FAX +81-44-822-0922

U.R.L. <https://www.sasaki-koki.co.jp>



[Sales Agent]

